

Solenoid Release Unit

Description

The solenoid release unit is used for electrical isolation of machinery to improve safe access. It consists of a rotary power switch and a solenoid. The trapped key can be removed once an external signal is given to its internal solenoid locking mechanism. An indicator light on the solenoid release unit indicates when the trapped key can be removed; that is, when power is applied to the solenoid. The solenoid signal only needs to be present when key removal is necessary. The solenoid is rated for 100% duty cycle. Power to the solenoid can be removed after the trapped key is removed.

Rotating the trapped key causes the isolating power switch to change state; the normally open contacts open and the normally closed contacts (if applicable) will close.

The trapped key can then be used in the next sequence of the operation.



Features

- Direct drive operation—positively opens contacts
- Integral solenoid monitoring
- Key trapped until release signal is applied
- LED or NEON "key free" indication
- 316L stainless steel construction
- 24V DC, 110V AC or 230V AC solenoid options
- Weatherproof stainless steel dust cap as standard
- UL and CSA Approval on switches
- Single or multiple key units available (contact factory)
- Replaceable code barrel assembly

The Prosafe Advantage



Stainless steel construction.

Specifications

Safety Ratings

Standards	EN1954-1, IEC/EN60204-1, EN1088, IEC/EN60947-5-1, ISO13849-1, ISO12100-1&2, ISO14119, GS-ET-19, AS4024.1
Certifications	CE Marked for all applicable directives and BG

Operating Characteristics

Solenoid Voltage	24V DC, 110V AC, 230V AC
Solenoid Power	DC Types: 6.5 W continuous AC Types: 6V A continuous
Electrical Life	100,000 operations
Mechanical Life	100,000 operations

Utilization Category

Electrical Characteristics	See rotary power switches.
----------------------------	----------------------------

Environmental & Physical Characteristics

Shear Force to Key	15.1 k•N (3398 lbs), max.
Torque to Key	14 N•m (124 lb•in), max.
Material	Trapped Key Components: 316L stainless steel Steel Face Plate: 316L stainless steel Optional Box: ABS plastic
Operating Temperature [C (F)]	0...40 ° (32...104 °)
Relative Humidity	95%

Product Selection

Type	Solenoid Voltage	Contacts	Current, Nom	Cat. No.
Single key out	24V DC	2 N.O. & 2 N.C.	20 A	440T-MSRUE11*
		4 N.O.	32 A	440T-MSRUE10*
			20 A	440T-MSRUE12*
		3 N.O. & 3 N.C.	20 A	440T-MSRUE13*
	110V AC	2 N.O. & 2 N.C.	20 A	440T-MSRUE22*
			32 A	440T-MSRUE20*
		3 N.O. & 3 N.C.	20 A	440T-MSRUE14*
		4 N.O.	63 A	440T-MSRUE24*
	230V AC	2 N.O. & 2 N.C.	20 A	440T-MSRUE33*
			32 A	440T-MSRUE30*
		4 N.O.	63 A	440T-MSRUE34*
			63 A	440T-MSRUE35*
110V DC	2 N.O. & 2 N.C.	20 A	440T-MSRUE44*	
	4 N.O.		440T-MSRUE40*	
	3 N.O. & 3 N.C.		440T-MSRUE46*	
Dual key out	24V DC	4 N.O.	20 A	440T-MS2097D* *
		2 N.O. & 2 N.C.		440T-MS2097A* *
		4 N.O.	32 A	440T-MS2097G* *
			63 A	440T-MS2097J* *
Triple key out	24V DC	4 N.O.	20 A	440T-MS3417D* * *
		2 N.O. & 2 N.C.		440T-MS3417A* * *
		4 N.O.	32 A	440T-MS3417G* * *
			63 A	440T-MS3417J* * *
Quad key out	24V DC	4 N.O.	20 A	440T-MS3418D* * * *
		2 N.O. & 2 N.C.		440T-MS3418A* * * *
		4 N.O.	32 A	440T-MS3418G* * * *
			63 A	440T-MS3418J* * * *

* Substitute the desired primary code for this symbol (key not included). See [Key Coding](#).

Accessories

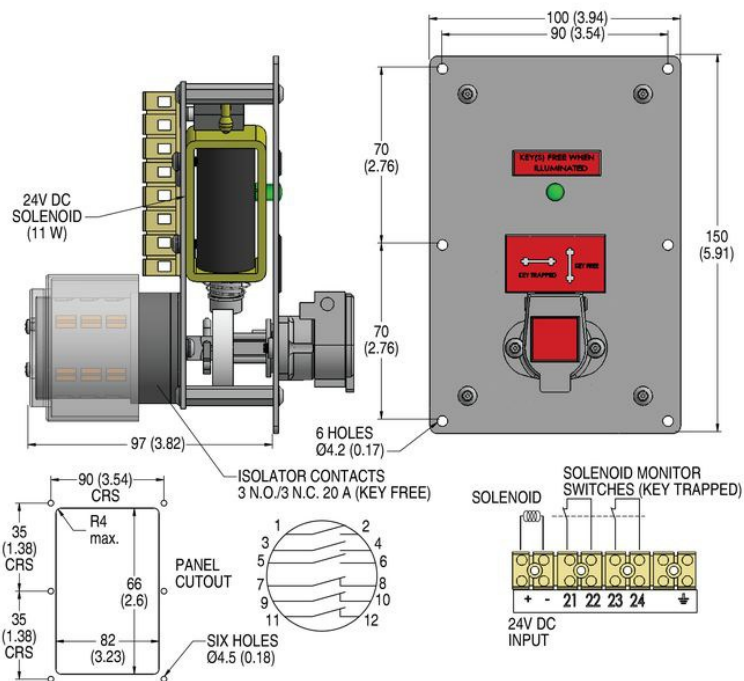
Description	Additional Information	Cat. No.
Stainless steel key	Accessories	440T-AKEYE10*
Stainless steel replacement code barrel with dust cap		440T-ASCBE14*
Stainless steel weatherproof replacement dust cap		440T-ASFC10*
Optional plastic enclosure	For use with single key out 20 A units	440T-AIPB10
	For use with single key out 32 A units	440T-AIPB22
Optional ABS plastic enclosure	For use with triple/quad key out units	440T-AIPB50
Optional stainless steel enclosure	For use with triple/quad key out units	440T-AIPB55

* Substitute the desired primary code for this symbol (key not included). See [Key Coding](#).

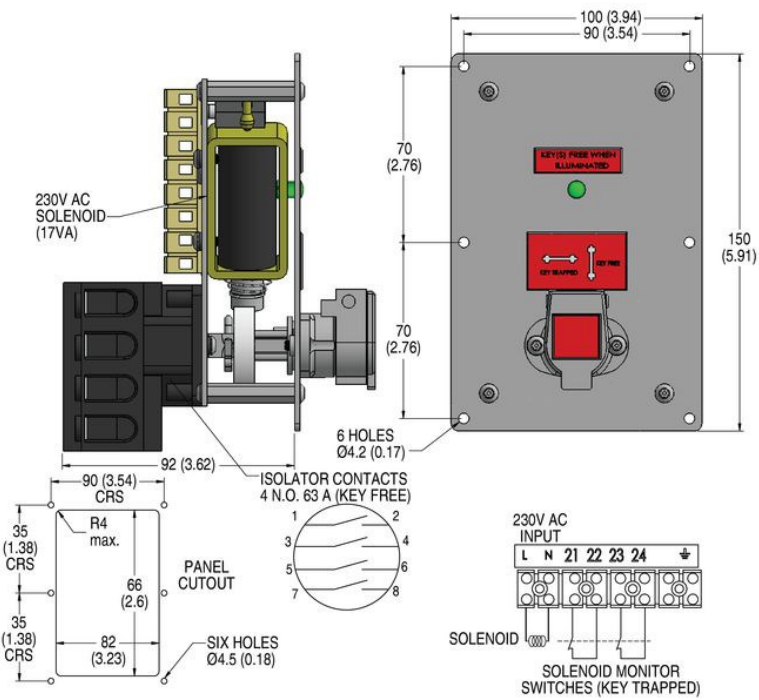
Approximate Dimensions

Dimensions are shown in mm (in.). Dimensions are not intended to be used for installation purposes.

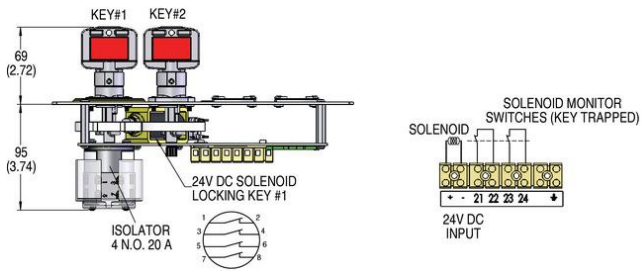
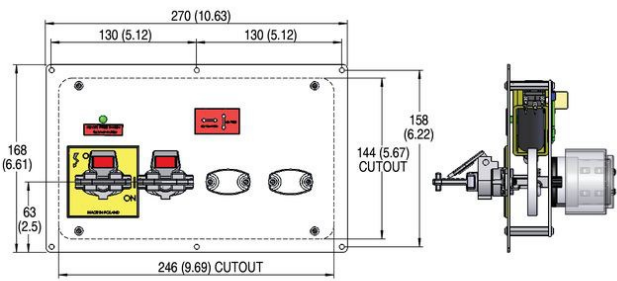
MSRUE13



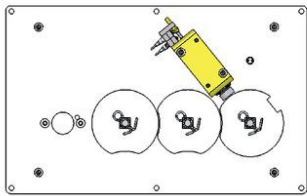
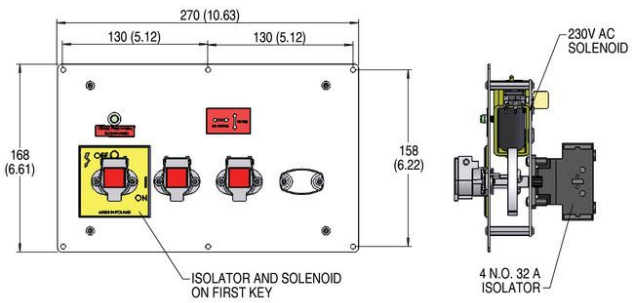
MSRUE35



MS2097



MS3417



Typical Wiring

